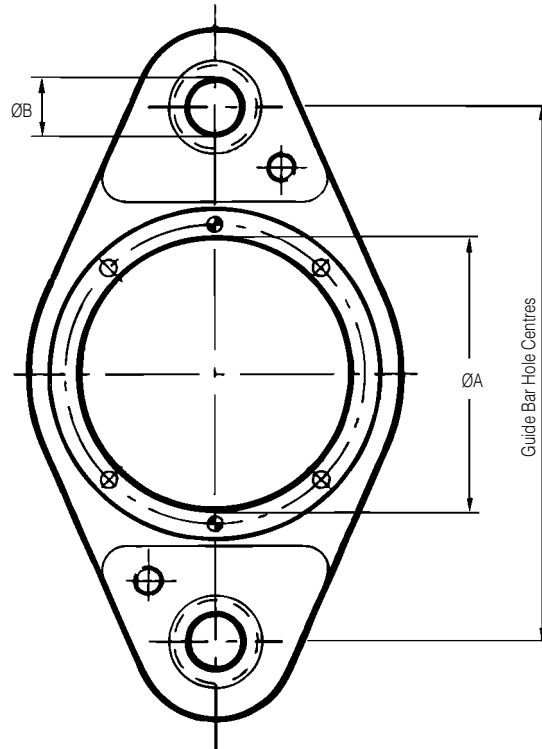


## BUSH PLATE CARRIER

30 Range			
Main Body Assembly	Guide Bar Hole Centres	ØA	ØB
30 BC 21 BPC	150.0	78.0	20.0
30 BC 24 BPC	150.0	78.0	20.0
30 CD 30 BPC	175.0	103.0	20.0
30 CD 36 BPC	175.0	103.0	20.0
30 DE 42 BPC	200.0	116.0	20.0

40 Range			
Main Body Assembly	Guide Bar Hole Centres	ØA	ØB
40 DE 32 BPC	225.0	116.0	25.0
40 EF 42 BPC	225.0	140.0	25.0
40 EG 54 BPC	300.0	160.0	25.0
40 FH 81 BPC	300.0	175.0	25.0

50 Range			
Main Body Assembly	Guide Bar Hole Centres	ØA	ØB
50 FG 32 BPC	275.0	160.0	35.0
50 HK 42 BPC	350.0	220.0	35.0
50 LN XX BPC	500.0	295.0	35.0



## INTERCHANGEABLE BUSH PLATE

30 Range		
Main Body Assembly	Ø 'A'	B
30 BC 21 IBP	112.0	13.0
30 BC 24 IBP	112.0	13.0
30 CD 30 IBP	137.0	13.0
30 CD 36 IBP	137.0	13.0
30 DE 42 IBP	150.0	13.0

40 Range		
Main Body Assembly	Ø 'A'	B
40 DE 32 IBP	150.0	13.0
40 EF 42 IBP	170.0	13.0
40 EG 54 IBP	200.0	13.0
40 FH 81 IBP	225.0	13.0

50 Range		
Main Body Assembly	Ø 'A'	B
50 FG 32 IBP	150.0	13.0
50 HK 42 IBP	255.0	13.0
50 LN XX IBP	330.0	13.0

